

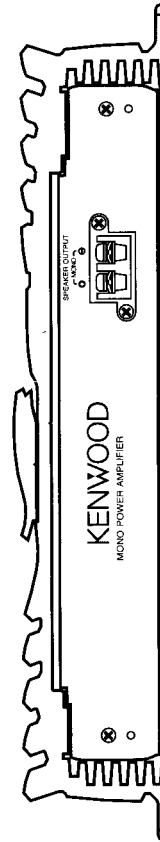
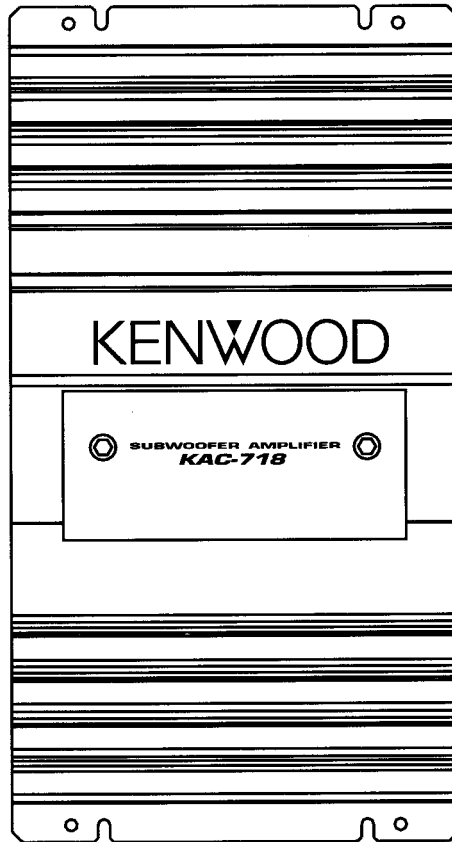
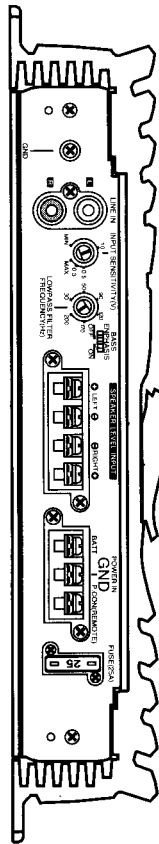
POWER AMPLIFIER

# KAC-718

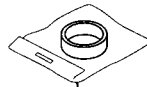
## SERVICE MANUAL

# KENWOOD

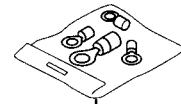
© 1999-3 PRINTED IN KOREA  
B51-7470-00 (K) 3272



SCREW SET  
(N99-1587-05)



TERMINAL COVER SET  
(W01-0748-05)

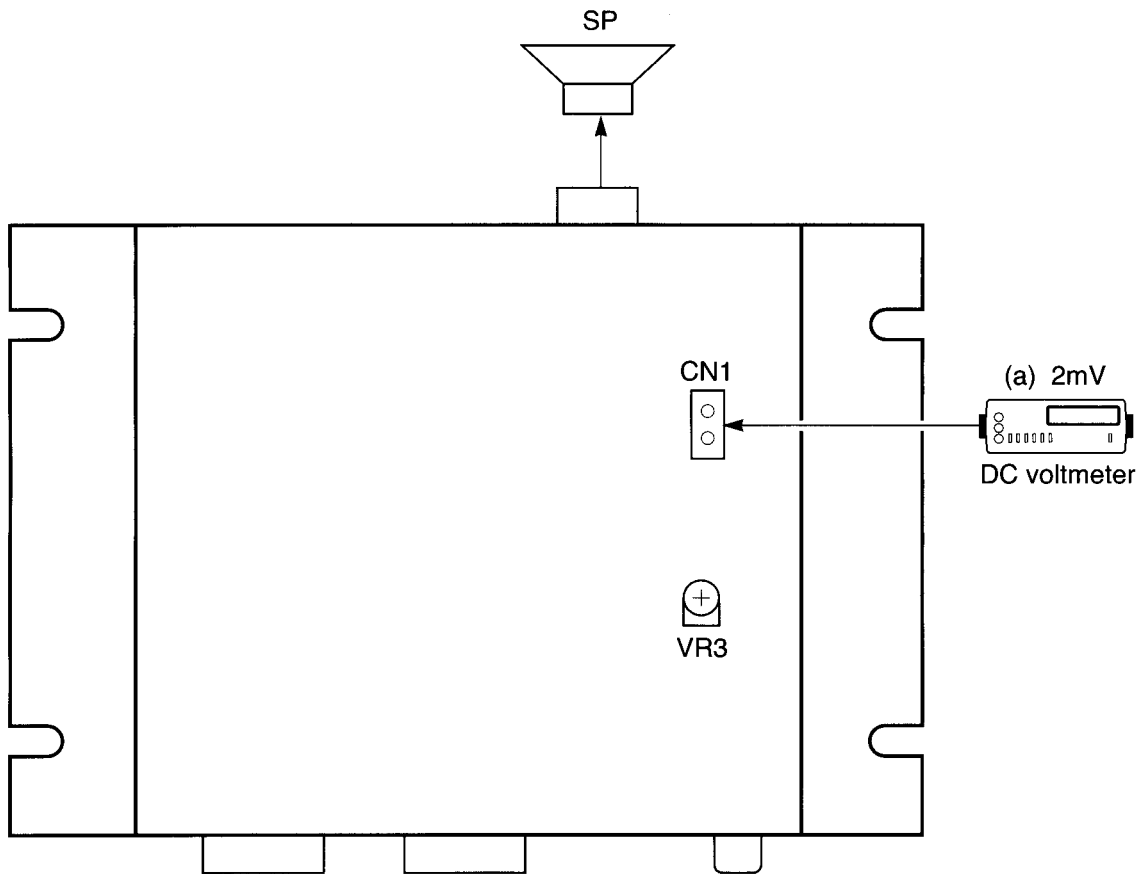


LEAD TERMINAL SET  
(W01-0798-05)  
(E type only)

# KAC-718

## ADJUSTMENT

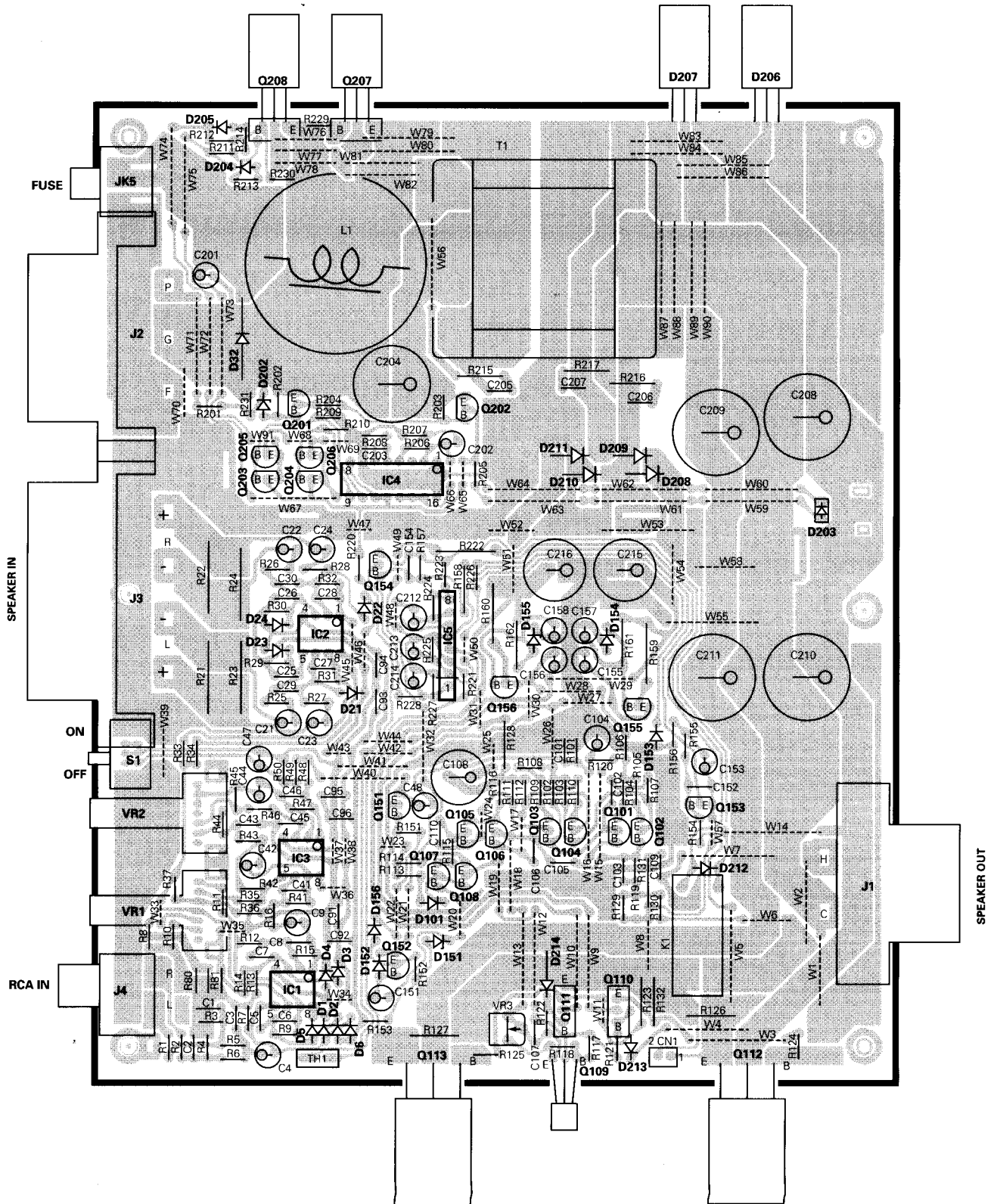
No.	ITEM	INPUT SETTINGS	OUTPUT SETTINGS	RECEIVER SETTINGS	ALIGNMENT POINTS	ALIGN FOR	FIG.
Connect a cassette receiver or CD receiver.							
1	IDEL CURRENT	-	Connect a DC voltmeter to CN1.	VOLUME : 0	VR3 (X09-)	2mV	(a)



KAC-718 (EKM)

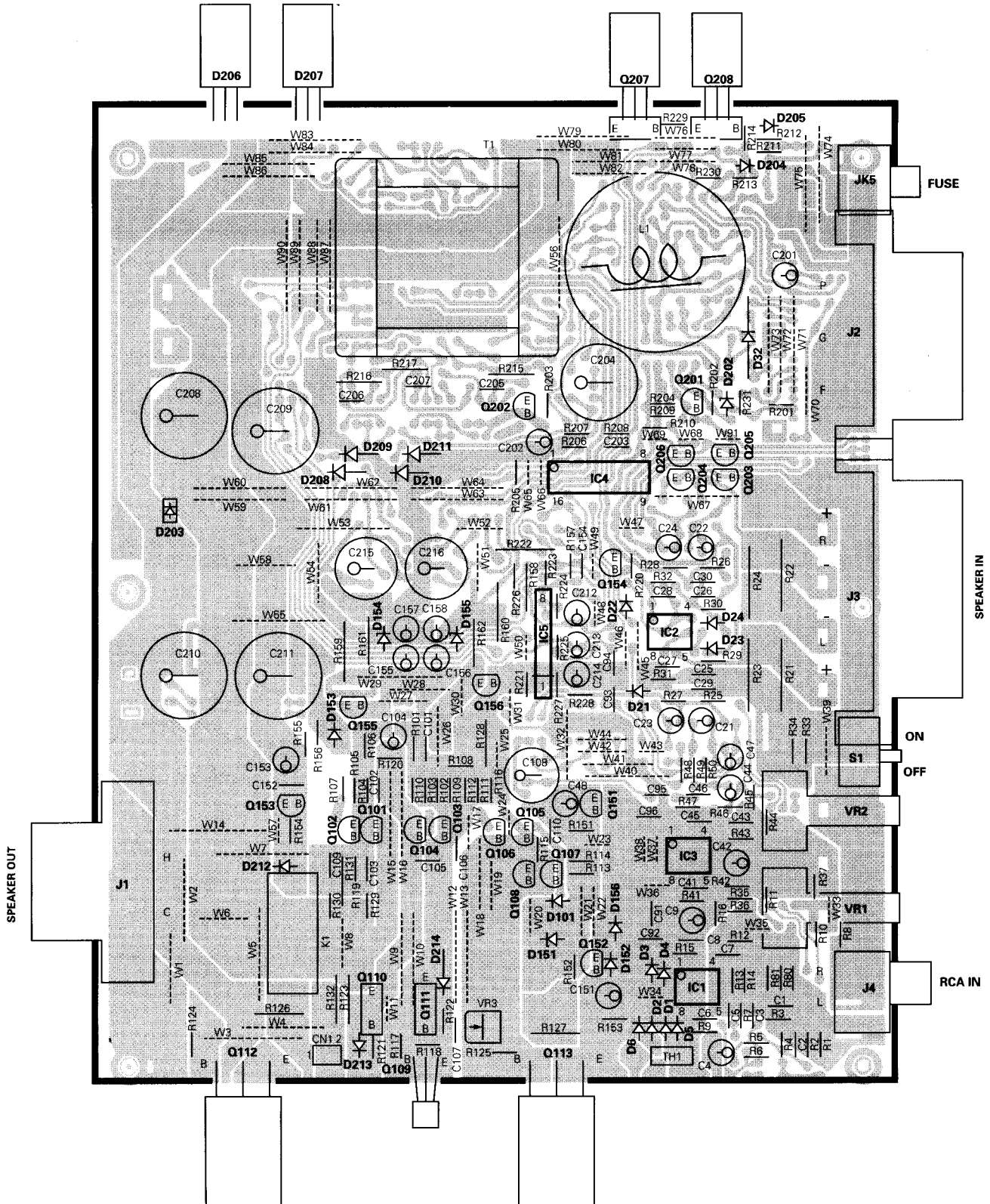
# PC BOARD (Component side view)

**AUDIO UNIT**  
**X09-5020-12 (J74-0528-21)**

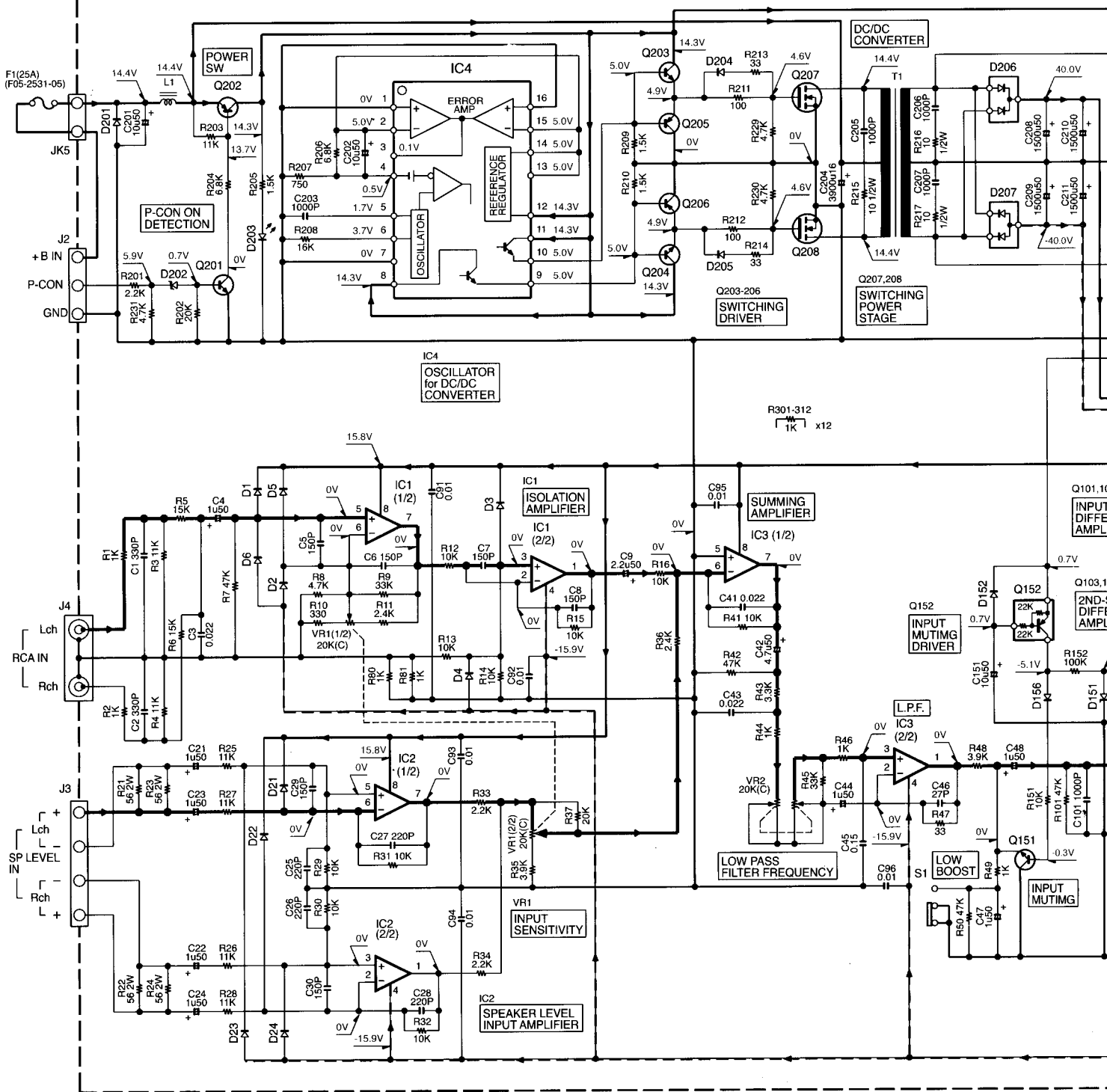


# PC BOARD (Foil side view)

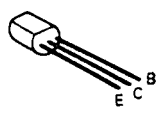
AUDIO UNIT  
X09-5020-12 (J74-0528-21)



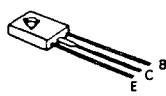
AUDIO UNIT (X09-5020-12)



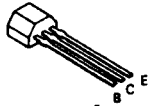
- 2SA1534A
- 2SA733(A)
- 2SA992
- 2SC1845
- 2SC3940A
- 2SC945(A)



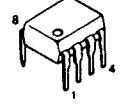
- 2SA1110
- 2SC2590



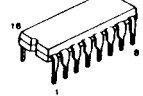
- DTA124ES



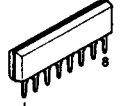
- NJM4565D

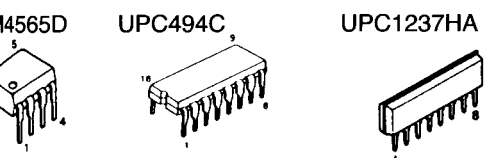
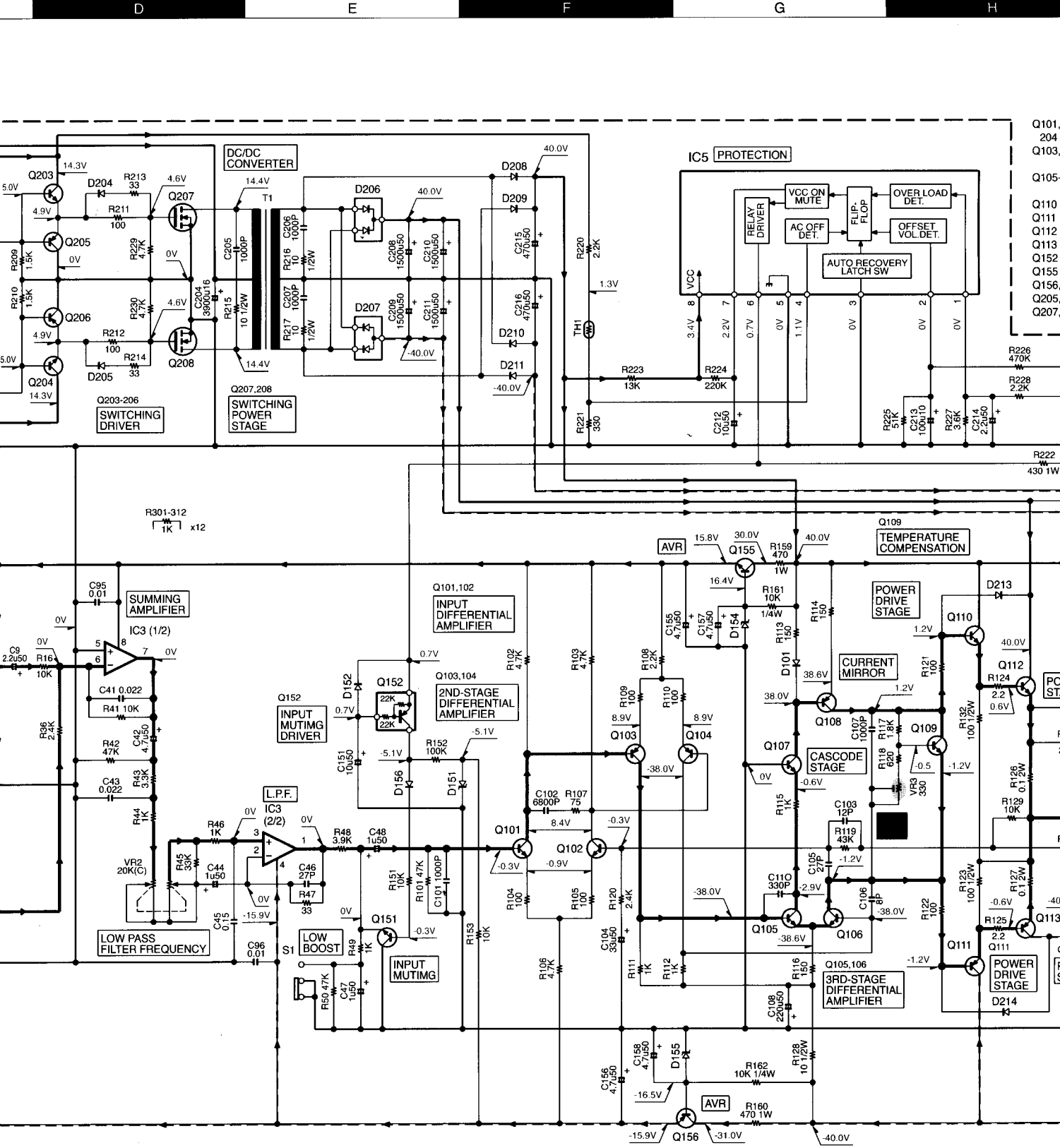


- UPC494C



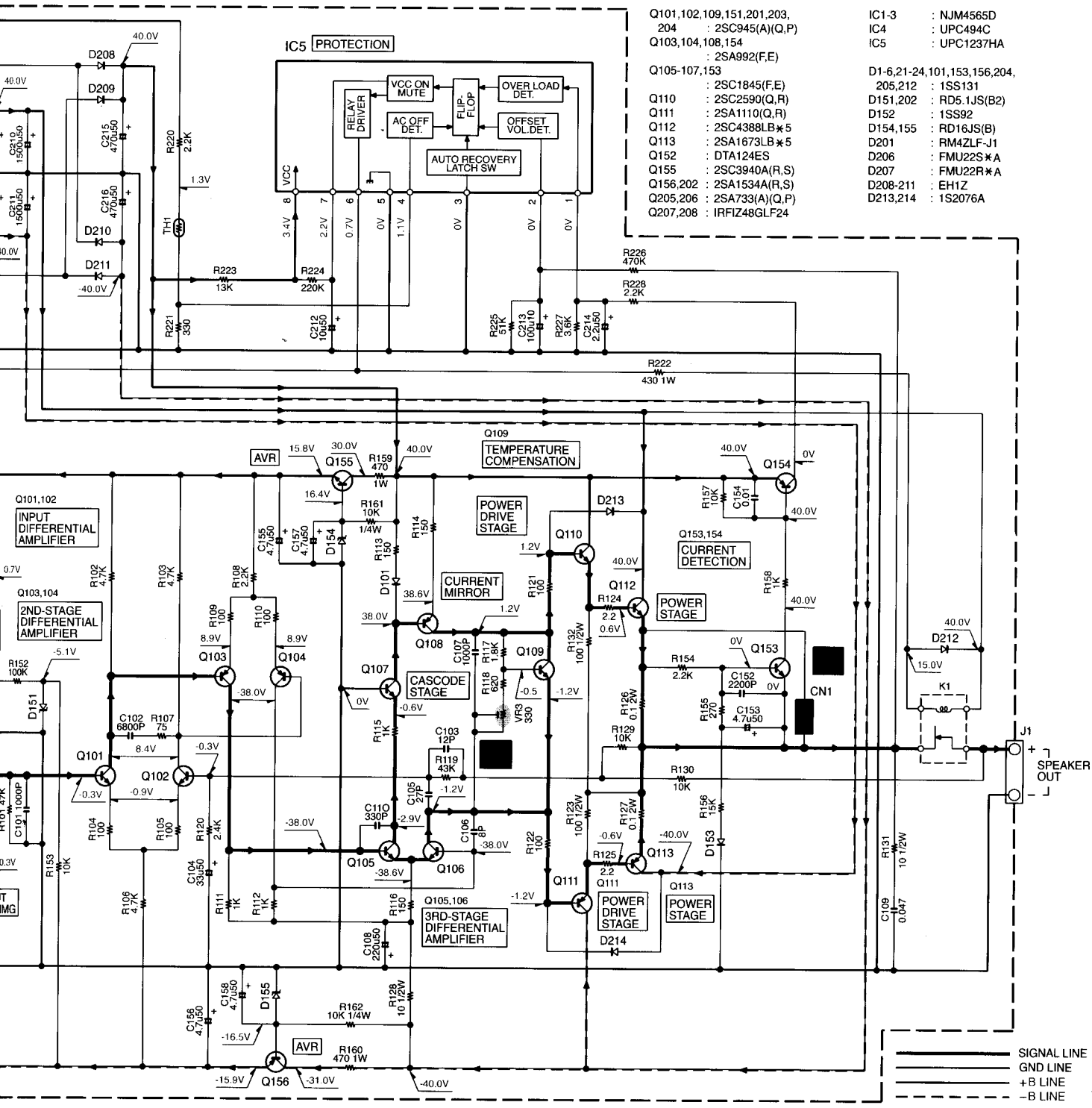
- UPC1237HA





**CAUTION:** For continued safety, replace safety critical components only with manufacturer's recommended parts (refer to parts list).  $\Delta$  indicates safety critical components. For continued protection against risk of fire, replace only with same type and rating fuse(s). To reduce the risk of electric shock, leakage-current or resistance measurements shall be carried out (exposed parts are acceptably insulated from the supply circuit) before the appliance is returned to the customer.

Q101, 204, Q103, Q105, Q110, Q111, Q112, Q113, Q152, Q155, Q156, Q205, Q207, R226, 470K, R228, 2.2K, R229, 100/10, R230, 4.7K, R231, 1500/50, R232, 1500/50, R233, 1500/50, R234, 1500/50, R235, 1500/50, R236, 1500/50, R237, 3.6K, R238, 2.2K, R239, 100/10, R240, 100/10, R241, 100/10, R242, 100/10, R243, 100/10, R244, 100/10, R245, 100/10, R246, 100/10, R247, 100/10, R248, 100/10, R249, 100/10, R250, 100/10, R251, 100/10, R252, 100/10, R253, 100/10, R254, 100/10, R255, 100/10, R256, 100/10, R257, 100/10, R258, 100/10, R259, 100/10, R260, 100/10, R261, 100/10, R262, 100/10, R263, 100/10, R264, 100/10, R265, 100/10, R266, 100/10, R267, 100/10, R268, 100/10, R269, 100/10, R270, 100/10, R271, 100/10, R272, 100/10, R273, 100/10, R274, 100/10, R275, 100/10, R276, 100/10, R277, 100/10, R278, 100/10, R279, 100/10, R280, 100/10, R281, 100/10, R282, 100/10, R283, 100/10, R284, 100/10, R285, 100/10, R286, 100/10, R287, 100/10, R288, 100/10, R289, 100/10, R290, 100/10, R291, 100/10, R292, 100/10, R293, 100/10, R294, 100/10, R295, 100/10, R296, 100/10, R297, 100/10, R298, 100/10, R299, 100/10, R300, 100/10, R301, 100/10, R302, 100/10, R303, 100/10, R304, 100/10, R305, 100/10, R306, 100/10, R307, 100/10, R308, 100/10, R309, 100/10, R310, 100/10, R311, 100/10, R312, 100/10, R313, 100/10, R314, 100/10, R315, 100/10, R316, 100/10, R317, 100/10, R318, 100/10, R319, 100/10, R320, 100/10, R321, 100/10, R322, 100/10, R323, 100/10, R324, 100/10, R325, 100/10, R326, 100/10, R327, 100/10, R328, 100/10, R329, 100/10, R330, 100/10, C101, 100P, C102, 6800P, C103, 12P, C104, 33u50, C105, 27P, C106, 8P, C107, 1000P, C108, 22u50, C109, 100/10, C110, 330P, C111, 2.2, C112, 0.6V, C113, 0.12V, C114, 0.12V, C115, 0.12V, C116, 0.12V, C117, 0.12V, C118, 0.12V, C119, 0.12V, C120, 0.12V, C121, 0.12V, C122, 0.12V, C123, 0.12V, C124, 0.12V, C125, 0.12V, C126, 0.12V, C127, 0.12V, C128, 0.12V, C129, 0.12V, C130, 0.12V, C131, 0.12V, C132, 0.12V, C133, 0.12V, C134, 0.12V, C135, 0.12V, C136, 0.12V, C137, 0.12V, C138, 0.12V, C139, 0.12V, C140, 0.12V, C141, 0.12V, C142, 0.12V, C143, 0.12V, C144, 0.12V, C145, 0.12V, C146, 0.12V, C147, 0.12V, C148, 0.12V, C149, 0.12V, C150, 0.12V, C151, 0.12V, C152, 0.12V, C153, 0.12V, C154, 0.12V, C155, 0.12V, C156, 0.12V, C157, 0.12V, C158, 0.12V, C159, 0.12V, C160, 0.12V, C161, 0.12V, C162, 0.12V, C163, 0.12V, C164, 0.12V, C165, 0.12V, C166, 0.12V, C167, 0.12V, C168, 0.12V, C169, 0.12V, C170, 0.12V, C171, 0.12V, C172, 0.12V, C173, 0.12V, C174, 0.12V, C175, 0.12V, C176, 0.12V, C177, 0.12V, C178, 0.12V, C179, 0.12V, C180, 0.12V, C181, 0.12V, C182, 0.12V, C183, 0.12V, C184, 0.12V, C185, 0.12V, C186, 0.12V, C187, 0.12V, C188, 0.12V, C189, 0.12V, C190, 0.12V, C191, 0.12V, C192, 0.12V, C193, 0.12V, C194, 0.12V, C195, 0.12V, C196, 0.12V, C197, 0.12V, C198, 0.12V, C199, 0.12V, C200, 0.12V, C201, 0.12V, C202, 0.12V, C203, 0.12V, C204, 0.12V, C205, 0.12V, C206, 0.12V, C207, 0.12V, C208, 0.12V, C209, 0.12V, C210, 0.12V, C211, 0.12V, C212, 0.12V, C213, 0.12V, C214, 0.12V, C215, 0.12V, C216, 0.12V, C217, 0.12V, C218, 0.12V, C219, 0.12V, C220, 0.12V, C221, 0.12V, C222, 0.12V, C223, 0.12V, C224, 0.12V, C225, 0.12V, C226, 0.12V, C227, 0.12V, C228, 0.12V, C229, 0.12V, C230, 0.12V, C231, 0.12V, C232, 0.12V, C233, 0.12V, C234, 0.12V, C235, 0.12V, C236, 0.12V, C237, 0.12V, C238, 0.12V, C239, 0.12V, C240, 0.12V, C241, 0.12V, C242, 0.12V, C243, 0.12V, C244, 0.12V, C245, 0.12V, C246, 0.12V, C247, 0.12V, C248, 0.12V, C249, 0.12V, C250, 0.12V, C251, 0.12V, C252, 0.12V, C253, 0.12V, C254, 0.12V, C255, 0.12V, C256, 0.12V, C257, 0.12V, C258, 0.12V, C259, 0.12V, C260, 0.12V, C261, 0.12V, C262, 0.12V, C263, 0.12V, C264, 0.12V, C265, 0.12V, C266, 0.12V, C267, 0.12V, C268, 0.12V, C269, 0.12V, C270, 0.12V, C271, 0.12V, C272, 0.12V, C273, 0.12V, C274, 0.12V, C275, 0.12V, C276, 0.12V, C277, 0.12V, C278, 0.12V, C279, 0.12V, C280, 0.12V, C281, 0.12V, C282, 0.12V, C283, 0.12V, C284, 0.12V, C285, 0.12V, C286, 0.12V, C287, 0.12V, C288, 0.12V, C289, 0.12V, C290, 0.12V, C291, 0.12V, C292, 0.12V, C293, 0.12V, C294, 0.12V, C295, 0.12V, C296, 0.12V, C297, 0.12V, C298, 0.12V, C299, 0.12V, C300, 0.12V, D201, 1N4148, D202, 1N4148, D203, 1N4148, D204, 1N4148, D205, 1N4148, D206, 1N4148, D207, 1N4148, D208, 1N4148, D209, 1N4148, D210, 1N4148, D211, 1N4148, D212, 1N4148, D213, 1N4148, D214, 1N4148, D215, 1N4148, D216, 1N4148, D217, 1N4148, D218, 1N4148, D219, 1N4148, D220, 1N4148, D221, 1N4148, D222, 1N4148, D223, 1N4148, D224, 1N4148, D225, 1N4148, D226, 1N4148, D227, 1N4148, D228, 1N4148, D229, 1N4148, D230, 1N4148, D231, 1N4148, D232, 1N4148, D233, 1N4148, D234, 1N4148, D235, 1N4148, D236, 1N4148, D237, 1N4148, D238, 1N4148, D239, 1N4148, D240, 1N4148, D241, 1N4148, D242, 1N4148, D243, 1N4148, D244, 1N4148, D245, 1N4148, D246, 1N4148, D247, 1N4148, D248, 1N4148, D249, 1N4148, D250, 1N4148, D251, 1N4148, D252, 1N4148, D253, 1N4148, D254, 1N4148, D255, 1N4148, D256, 1N4148, D257, 1N4148, D258, 1N4148, D259, 1N4148, D260, 1N4148, D261, 1N4148, D262, 1N4148, D263, 1N4148, D264, 1N4148, D265, 1N4148, D266, 1N4148, D267, 1N4148, D268, 1N4148, D269, 1N4148, D270, 1N4148, D271, 1N4148, D272, 1N4148, D273, 1N4148, D274, 1N4148, D275, 1N4148, D276, 1N4148, D277, 1N4148, D278, 1N4148, D279, 1N4148, D280, 1N4148, D281, 1N4148, D282, 1N4148, D283, 1N4148, D284, 1N4148, D285, 1N4148, D286, 1N4148, D287, 1N4148, D288, 1N4148, D289, 1N4148, D290, 1N4148, D291, 1N4148, D292, 1N4148, D293, 1N4148, D294, 1N4148, D295, 1N4148, D296, 1N4148, D297, 1N4148, D298, 1N4148, D299, 1N4148, D300, 1N4148, Q101, 2N3906, Q102, 2N3906, Q103, 2N3906, Q104, 2N3906, Q105, 2N3906, Q106, 2N3906, Q107, 2N3906, Q108, 2N3906, Q109, 2N3906, Q110, 2N3906, Q111, 2N3906, Q112, 2N3906, Q113, 2N3906, Q114, 2N3906, Q115, 2N3906, Q116, 2N3906, Q117, 2N3906, Q118, 2N3906, Q119, 2N3906, Q120, 2N3906, Q121, 2N3906, Q122, 2N3906, Q123, 2N3906, Q124, 2N3906, Q125, 2N3906, Q126, 2N3906, Q127, 2N3906, Q128, 2N3906, Q129, 2N3906, Q130, 2N3906, Q131, 2N3906, Q132, 2N3906, Q133, 2N3906, Q134, 2N3906, Q135, 2N3906, Q136, 2N3906, Q137, 2N3906, Q138, 2N3906, Q139, 2N3906, Q140, 2N3906, Q141, 2N3906, Q142, 2N3906, Q143, 2N3906, Q144, 2N3906, Q145, 2N3906, Q146, 2N3906, Q147, 2N3906, Q148, 2N3906, Q149, 2N3906, Q150, 2N3906, Q151, 2N3906, Q152, 2N3906, Q153, 2N3906, Q154, 2N3906, Q155, 2N3906, Q156, 2N3906, Q157, 2N3906, Q158, 2N3906, Q159, 2N3906, Q160, 2N3906, Q161, 2N3906, Q162, 2N3906, Q163, 2N3906, Q164, 2N3906, Q165, 2N3906, Q166, 2N3906, Q167, 2N3906, Q168, 2N3906, Q169, 2N3906, Q170, 2N3906, Q171, 2N3906, Q172, 2N3906, Q173, 2N3906, Q174, 2N3906, Q175, 2N3906, Q176, 2N3906, Q177, 2N3906, Q178, 2N3906, Q179, 2N3906, Q180, 2N3906, Q181, 2N3906, Q182, 2N3906, Q183, 2N3906, Q184, 2N3906, Q185, 2N3906, Q186, 2N3906, Q187, 2N3906, Q188, 2N3906, Q189, 2N3906, Q190, 2N3906, Q191, 2N3906, Q192, 2N3906, Q193, 2N3906, Q194, 2N3906, Q195, 2N3906, Q196, 2N3906, Q197, 2N3906, Q198, 2N3906, Q199, 2N3906, Q200, 2N3906, Q201, 2N3906, Q202, 2N3906, Q203, 2N3906, Q204, 2N3906, Q205, 2N3906, Q206, 2N3906, Q207, 2N3906, Q208, 2N3906, Q209, 2N3906, Q210, 2N3906, Q211, 2N3906, Q212, 2N3906, Q213, 2N3906, Q214, 2N3906, Q215, 2N3906, Q216, 2N3906, Q217, 2N3906, Q218, 2N3906, Q219, 2N3906, Q220, 2N3906, Q221, 2N3906, Q222, 2N3906, Q223, 2N3906, Q224, 2N3906, Q225, 2N3906, Q226, 2N3906, Q227, 2N3906, Q228, 2N3906, Q229, 2N3906, Q230, 2N3906, Q231, 2N3906, Q232, 2N3906, Q233, 2N3906, Q234, 2N3906, Q235, 2N3906, Q236, 2N3906, Q237, 2N3906, Q238, 2N3906, Q239, 2N3906, Q240, 2N3906, Q241, 2N3906, Q242, 2N3906, Q243, 2N3906, Q244, 2N3906, Q245, 2N3906, Q246, 2N3906, Q247, 2N3906, Q248, 2N3906, Q249, 2N3906, Q250, 2N3906, Q251, 2N3906, Q252, 2N3906, Q253, 2N3906, Q254, 2N3906, Q255, 2N3906, Q256, 2N3906, Q257, 2N3906, Q258, 2N3906, Q259, 2N3906, Q260, 2N3906, Q261, 2N3906, Q262, 2N3906, Q263, 2N3906, Q264, 2N3906, Q265, 2N3906, Q266, 2N3906, Q267, 2N3906, Q268, 2N3906, Q269, 2N3906, Q270, 2N3906, Q271, 2N3906, Q272, 2N3906, Q273, 2N3906, Q274, 2N3906, Q275, 2N3906, Q276, 2N3906, Q277, 2N3906, Q278, 2N3906, Q279, 2N3906, Q280, 2N3906, Q281, 2N3906, Q282, 2N3906, Q283, 2N3906, Q284, 2N3906, Q285, 2N3906, Q286, 2N3906, Q287, 2N3906, Q288, 2N3906, Q289, 2N3906, Q290, 2N3906, Q291, 2N3906, Q292, 2N3906, Q293, 2N3906, Q294, 2N3906, Q295, 2N3906, Q296, 2N3906, Q297, 2N3906, Q298, 2N3906, Q299, 2N3906, Q300, 2N3906, T1, 100VA, U1, 7805, U2, 7805, U3, 7805, U4, 7805, U5, 7805, U6, 7805, U7, 7805, U8, 7805, U9, 7805, U10, 7805, U11, 7805, U12, 7805, U13, 7805, U14, 7805, U15, 7805, U16, 7805, U17, 7805, U18, 7805, U19, 7805, U20, U21, 7805, U22, 7805, U23, 7805, U24, U25, 7805, U26, 7805, U27, 7805, U28, U29, 7805, U30, U31, 7805, U32, U33, 7805, U34, U35, 7805, U36, U37, 7805, U38, U39, 7805, U40, U41, 7805, U42, U43, U44, 7805, U45, U46, U47, U48, U49, U50, U51, U52, U53, U54, U55, U56, U57, U58, U59, U60, U61, U62, U63, U64, U65, U66, U67, U68, U69, U70, U71, U72, U73, U74, U75, U76, U77, U78, U79, U80, U81, U82, U83, U84, U85, U86, U87, U88, U89, U90, U91, U92, U93, U94, U95, U96, U97, U98, U99, U100, U101, U102, U103, U104, U105, U106, U107, U108, U109, U110, U111, U112, U113, U114, U115, U116, U117, U118, U119, U120, U121, U122, U123, U124, U125, U126, U127, U128, U129, U130, U131, U132, U133, U134, U135, U136, U137, U138, U139, U140, U141, U142, U143, U144, U145, U146, U147, U148, U149, U150, U151, U152, U153, U154, U155, U156, U157, U158, U159, U160, U161, U162, U163, U164, U165, U166, U167, U168, U169, U170, U171, U172, U173, U174, U175, U176, U177, U178, U179, U180, U181, U182, U183, U184, U185, U186, U187, U188, U189, U190, U191, U192, U193, U194, U195, U196, U197, U198, U199, U200, U201, U202, U203, U204, U205, U206, U207, U208, U209, U210, U211, U212, U213, U214, U215, U216, U217, U218, U219, U220, U221, U222, U223, U224, U225,



- Q101,102,109,151,201,203, 204 : 2SC945(A)(Q,P)  
 Q103,104,108,154 : 2SA992(F,E)  
 Q105-107,153 : 2SC1845(F,E)  
 Q110 : 2SC2590(Q,R)  
 Q111 : 2SA1110(Q,R)  
 Q112 : 2SC4388LB\*5  
 Q113 : 2SA1673LB\*5  
 Q152 : DTA124ES  
 Q155 : 2SC3940A(R,S)  
 Q156,202 : 2SA1534A(R,S)  
 Q205,206 : 2SA733A(Q,P)  
 Q207,208 : IRFIZ48GLF24
- IC1-3 : NJM4565D  
 IC4 : UPC494C  
 IC5 : UPC1237HA
- D1-6,21-24,101,153,156,204, 205,212 : 1SS131  
 D151,202 : RD5.1JS(B2)  
 D152 : 1SS92  
 D154,155 : RD16JS(B)  
 D201 : RM4ZLF-J1  
 D206 : FMU22S\*A  
 D207 : FMU22R\*A  
 D208-211 : EH1Z  
 D213,214 : 1S2076A

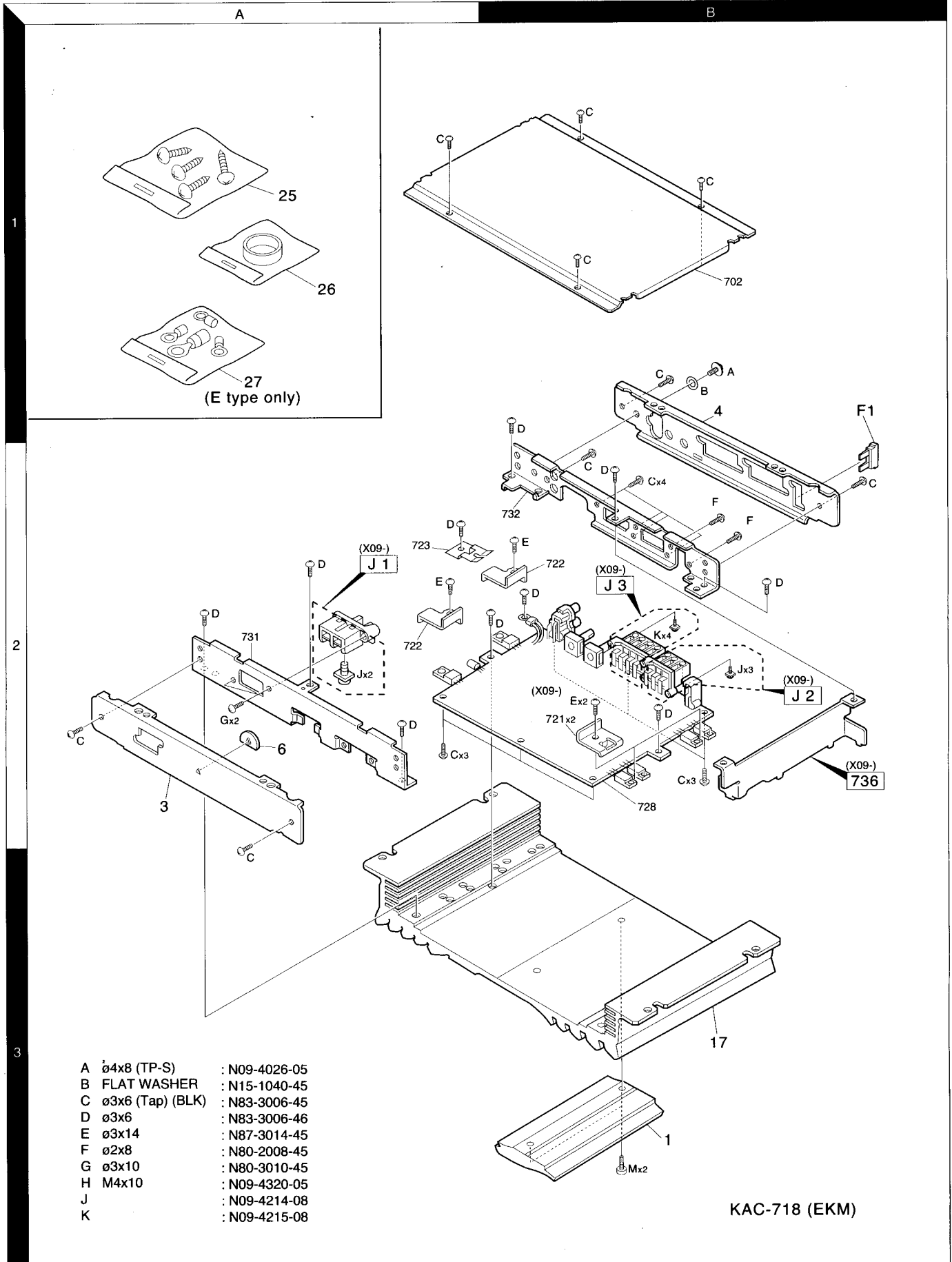
KAC-718 (EKM)

**CAUTION:** For continued safety, replace safety critical components only with manufacturer's recommended parts (refer to parts list).  $\Delta$  indicates safety critical components. For continued protection against risk of fire, replace only with same type and rating fuse(s). To reduce the risk of electric shock, leakage-current or resistance measurements shall be carried out (exposed parts are acceptably insulated from the supply circuit) before the appliance is returned to the customer.

**KAC-718**

**KENWOOD**

## EXPLODED VIEW





# KAC-718

## PARTS LIST

\*New Parts

Parts without **Part No.** are not supplied.

Les articles non mentionnés dans le **Parts No.** ne sont pas fournis.

Teile ohne **Parts No.** werden nicht geliefert.

(X09-5020-12)

Ref. No.	A d d	N e w	Parts No.	Description	Desti- nation
<b>KAC-718</b>					
1	3B	*	A21-3560-03	DRESSING PANEL	
3	2A	*	A64-1731-03	FRONT PANEL	
4	1B	*	A84-0195-03	REAR PANEL	
6	2A		B19-0850-04	LIGHTING BOARD	
			B46-0100-50	WARRANTY CARD	
		*	B64-1356-00	INST. MANUAL (ENG,FRE,SPA)	K
		*	B64-1357-00	INST. MANUAL (ENG,FRE,GER,DUT)	E1
		*	B64-1357-00	INST. MANUAL (ITA,SPA,POR)	E1
		*	B64-1358-00	INST. MANUAL (ENG,CHI)	M1
17	3B	*	F01-1595-01	HEAT SINK (TOP COVER)	
F1	1B		F05-2531-05	FUSE (25A BLADE TYPE)	
		*	H10-4642-03	POLYSTYRENE FOAMED FIXTURE	
			H25-0321-04	PROTECTION BAG (600X315X0.03)	
			H25-0336-04	PROTECTION BAG (170X250X0.03)	
		*	H54-1420-03	ITEM CARTON CASE	
25	1A		N99-1587-05	SCREW SET	
A	1B		N09-4026-05	TAPPING SCREW (4X8,TP,S)	
B	1B		N15-1040-45	FLAT WASHER	
C	1B		N83-3006-45	PAN HEAD TAPTITE SCREW	
D	2A		N83-3006-46	PAN HEAD TAPTITE SCREW	
E	2A		N87-3014-45	BRAZIER HEAD TAPTITE SCREW	
H	3B		N09-4320-05	DRESSED SCREW (M4X10)	
26	1A		W01-0748-05	TERMINAL COVER SET	
27	1A		W01-0798-05	LEAD TERMINAL SET	E1
<b>AUDIO UNIT (X09-5020-12)</b>					
D203			B30-1342-05	LED	
C1 ,2			CC45FSL1H331J	CERAMIC 330PF	J
C3			CF92FV1H223J	MF-C 0.022UF	J
C4			CE04DW1H010M	ELECTRO 1.0UF	50WV
C5 -8			CC45FSL1H151J	CERAMIC 150PF	J
C9			CE04DW1H2R2M	ELECTRO 2.2UF	50WV
C21 -24			CE04DW1H010M	ELECTRO 1.0UF	50WV
C25 -28			CC45FSL1H221J	CERAMIC 220PF	J
C29 ,30			CC45FSL1H151J	CERAMIC 150PF	J
C41			CF92FV1H223J	MF-C 0.022UF	J
C42			CE04DW1H4R7M	ELECTRO 4.7UF	50WV
C43			CF92FV1H223J	MF-C 0.022UF	J
C44			CE04DW1H010M	ELECTRO 1.0UF	50WV
C45			CF92FV1H154J	MF-C 0.15UF	J
C46			CC45FSL1H270J	CERAMIC 27PF	J
C47 ,48			CE04DW1H010M	ELECTRO 1.0UF	50WV
C91 -96			CK45FF1H103Z	CERAMIC 0.010UF	Z
C101			CF92FV1H102J	MF-C 1000PF	J
C102			CF92FV1H682J	MF-C 6800PF	J
C103			CC45FSL1H120J	CERAMIC 12PF	J
C104			CE04DW1H330M	ELECTRO 33UF	50WV
C105			CC45FSL1H270J	CERAMIC 27PF	J
C106			CC45FSL1H080D	CERAMIC 8.0PF	D
C107			CF92FV1H102J	MF-C 1000PF	J
C108			CE04DW1H221M	ELECTRO 220UF	50WV

Ref. No.	A d d	N e w	Parts No.	Description	Desti- nation
C109			CF92FV1H473J	MF-C 0.047UF	J
C110			CC45FSL1H331J	CERAMIC 330PF	J
C151			CE04DW1H100M	ELECTRO 10UF	50WV
C152			CK45FB1H222K	CERAMIC 2200PF	K
C153			CE04DW1H4R7M	ELECTRO 4.7UF	50WV
C154			CK45FF1H103Z	CERAMIC 0.010UF	Z
C155-158			CE04DW1H4R7M	ELECTRO 4.7UF	50WV
C201,202			CE04DW1H100M	ELECTRO 10UF	50WV
C203			CF92FV1H102J	MF-C 1000PF	J
C204			C90-2788-05	ELECTRO 3900UF	16WV
C205-207			CF92FV1H102J	MF-C 1000PF	J
C208-211			C90-2787-05	ELECTRO 1500UF	50WV
C212			CE04DW1H100M	ELECTRO 10UF	50WV
C213			CE04DW1A101M	ELECTRO 100UF	10WV
C214			CE04DW1H2R2M	ELECTRO 2.2UF	50WV
C215,216			CE04DW1H471M	ELECTRO 470UF	50WV
CN1			E40-3640-05	PIN ASSY	
J1	2A		E70-0810-05	SCREW TERMINAL BOARD	
J2	2B		E70-0807-05	SCREW TERMINAL BOARD	
J3	2B		E70-0811-05	SCREW TERMINAL BOARD	
J4	*		E63-0845-05	PHONO JACK	
JK5			J13-0602-05	FUSE HOLDER	
L1			L33-1015-05	CHOKO COIL	
T1			L19-0552-05	DC/DC CONVERTER	
C	2A		N83-3006-45	PAN HEAD TAPTITE SCREW	
D	2B		N83-3006-46	PAN HEAD TAPTITE SCREW	
F	2B		N80-2008-45	PAN HEAD TAPTITE SCREW	
G	2A		N80-3010-45	PAN HEAD TAPTITE SCREW	
J	2A		N09-4214-08	SEMS	
K	2B		N09-4215-08	SEMS	
R1 ,2			RD14BB2C102J	RD 1.0K	J 1/6W
R3 ,4			RD14BB2C113J	RD 11K	J 1/6W
R5 ,6			RD14BB2C153J	RD 15K	J 1/6W
R7			RD14BB2C473J	RD 47K	J 1/6W
R8			RD14BB2C472J	RD 4.7K	J 1/6W
R9			RD14BB2C333J	RD 33K	J 1/6W
R10			RD14BB2C331J	RD 330	J 1/6W
R11			RD14BB2C242J	RD 2.4K	J 1/6W
R12 -15			RN14BK2C1002F	RN 10.0K	F 1/6W
R16			RD14BB2C103J	RD 10K	J 1/6W
R21 -24			RS14KB3D560J	FL-PROOF RS 56	J 2W
R25 -28			RD14BB2C113J	RD 11K	J 1/6W
R29 -32			RD14BB2C103J	RD 10K	J 1/6W
R33 ,34			RD14BB2C222J	RD 2.2K	J 1/6W
R35			RD14BB2C392J	RD 3.9K	J 1/6W
R36			RD14BB2C242J	RD 2.4K	J 1/6W
R37			RD14BB2C203J	RD 20K	J 1/6W
R41			RD14BB2C103J	RD 10K	J 1/6W
R42			RD14BB2C473J	RD 47K	J 1/6W
R43			RD14BB2C332J	RD 3.3K	J 1/6W
R44			RD14BB2C102J	RD 1.0K	J 1/6W
R45			RD14BB2C333J	RD 33K	J 1/6W

E: Europe K: North America M: Other Areas  
W: Without Europe

⚠ indicates safety critical components.

## PARTS LIST

**\*New Parts**

Parts without **Part No.** are not supplied.

Les articles non mentionnes dans le **Parts No.** ne sont pas fournis.

Teile ohne **Parts No.** werden nicht geliefert.

(X09-5020-12)

Ref. No.	A d d	N e w	Parts No.	Description	Desti- nation
R46			RD14BB2C102J	RD 1.0K J 1/6W	
R47			RD14BB2C330J	RD 33 J 1/6W	
R48			RD14BB2C392J	RD 3.9K J 1/6W	
R49			RD14BB2C102J	RD 1.0K J 1/6W	
R50			RD14BB2C473J	RD 47K J 1/6W	
R80,81			RD14BB2C102J	RD 1.0K J 1/6W	
R101			RD14BB2C473J	RD 47K J 1/6W	
R102,103			RD14BB2C472J	RD 4.7K J 1/6W	
R104,105			RD14BB2C101J	RD 100 J 1/6W	
R106			RD14BB2C472J	RD 4.7K J 1/6W	
R107			RD14BB2C750J	RD 75 J 1/6W	
R108			RD14BB2C222J	RD 2.2K J 1/6W	
R109,110			RD14BB2C101J	RD 100 J 1/6W	
R111,112			RD14BB2C102J	RD 1.0K J 1/6W	
R113,114			RD14BB2C151J	RD 150 J 1/6W	
R115			RD14BB2C102J	RD 1.0K J 1/6W	
R116			RD14BB2C151J	RD 150 J 1/6W	
R117			RD14BB2C182J	RD 1.8K J 1/6W	
R118			RD14BB2C621J	RD 620 J 1/6W	
R119			RD14BB2C433J	RD 43K J 1/6W	
R120			RD14BB2C242J	RD 2.4K J 1/6W	
R121,122			RD14BB2C101J	RD 100 J 1/6W	
R123			RD14DB2H101J	SMALL-RD 100 J 1/2W	
R124,125			RD14BB2C2R2J	RD 2.2 J 1/6W	
R126,127			R92-0205-05	METAL-PLATE 0.1 K 2W	
R128			RD14DB2H100J	SMALL-RD 10 J 1/2W	
R129,130			RD14BB2C103J	RD 10K J 1/6W	
R131			RD14DB2H100J	SMALL-RD 10 J 1/2W	
R132			RD14DB2H101J	SMALL-RD 100 J 1/2W	
R151			RD14BB2C103J	RD 10K J 1/6W	
R152			RD14BB2C104J	RD 100K J 1/6W	
R153			RD14BB2C103J	RD 10K J 1/6W	
R154			RD14BB2C222J	RD 2.2K J 1/6W	
R155			RD14BB2C271J	RD 270 J 1/6W	
R156			RD14BB2C153J	RD 15K J 1/6W	
R157			RD14BB2C103J	RD 10K J 1/6W	
R158			RD14BB2E102J	RD 1.0K J 1/4W	
R159,160			RS14KB3A471J	FL-PROOF RS 470 J 1W	
R161,162			RD14BB2E103J	RD 10K J 1/4W	
R201			RD14BB2C222J	RD 2.2K J 1/6W	
R202			RD14BB2C203J	RD 20K J 1/6W	
R203			RD14BB2C113J	RD 11K J 1/6W	
R204			RD14BB2C682J	RD 6.8K J 1/6W	
R205			RD14BB2C152J	RD 1.5K J 1/6W	
R206			RD14BB2C682J	RD 6.8K J 1/6W	
R207			RD14BB2C751J	RD 750 J 1/6W	
R208			RD14BB2C163J	RD 16K J 1/6W	
R209,210			RD14BB2C152J	RD 1.5K J 1/6W	
R211,212			RD14BB2C101J	RD 100 J 1/6W	
R213,214			RD14BB2C330J	RD 33 J 1/6W	
R215-217			RD14DB2H100J	SMALL-RD 10 J 1/2W	
R220			RD14BB2C222J	RD 2.2K J 1/6W	
R221			RD14BB2C331J	RD 330 J 1/6W	
R222		*	RS14KB3A431J	FL-PROOF RS 430 J 1W	
R223			RD14BB2C133J	RD 13K J 1/6W	

Ref. No.	A d d	N e w	Parts No.	Description	Desti- nation
R224			RD14BB2C224J	RD 220K J 1/6W	
R225			RD14BB2C513J	RD 51K J 1/6W	
R226			RD14BB2C474J	RD 470K J 1/6W	
R227			RD14BB2C362J	RD 3.6K J 1/6W	
R228			RD14BB2C222J	RD 2.2K J 1/6W	
R229-231			RD14BB2C472J	RD 4.7K J 1/6W	
R301-312			RD14BB2E102J	RD 1.0K J 1/4W	
VR1,2			R10-0627-05	POTENTIOMETER (20KX2)	
VR3			R12-0606-05	TRIMMING POT. (330)	
K1			S76-0019-05	MAGNETIC RELAY	
S1			S62-0802-05	SLIDE SWITCH	
D1 -6			1SS131	DIODE	
D21 -24			1SS131	DIODE	
D101			1SS131	DIODE	
D151			RD5.1JS(B2)	ZENER DIODE	
D152			1SS92	DIODE	
D153			1SS131	DIODE	
D154,155			RD16JS(B)	ZENER DIODE	
D156			1SS131	DIODE	
D201			RM4ZLF-J1	DIODE	
D202			RD5.1JS(B2)	ZENER DIODE	
D204,205			1SS131	DIODE	
D206			FMU22S*A	DIODE	
D207			FMU22R*A	DIODE	
D208-211			EH1Z	DIODE	
D212			1SS131	DIODE	
D213,214			1S2076A	DIODE	
IC1 -3			NJM4565D	ANALOGUE IC	
IC4			UPC494C	IC(SWITCHING REGULATOR)	
IC5			UPC1237HA	IC(POWER AMP)	
Q101,102			2SC945(A)(Q,P)	TRANSISTOR	
Q103,104			2SA992(F,E)	TRANSISTOR	
Q105-107			2SC1845(F,E)	TRANSISTOR	
Q108			2SA992(F,E)	TRANSISTOR	
Q109			2SC945(A)(Q,P)	TRANSISTOR	
Q110			2SC2590(Q,R)	TRANSISTOR	
Q111			2SA1110(Q,R)	TRANSISTOR	
Q112			2SC4388LB*5	TRANSISTOR	
Q113			2SA1673LB*5	TRANSISTOR	
Q151			2SC945(A)(Q,P)	TRANSISTOR	
Q152			DTA124ES	DIGITAL TRANSISTOR	
Q153			2SC1845(F,E)	TRANSISTOR	
Q154			2SA992(F,E)	TRANSISTOR	
Q155			2SC3940A(R,S)	TRANSISTOR	
Q156			2SA1534A(R,S)	TRANSISTOR	
Q201			2SC945(A)(Q,P)	TRANSISTOR	
Q202			2SA1534A(R,S)	TRANSISTOR	
Q203,204			2SC945(A)(Q,P)	TRANSISTOR	
Q205,206			2SA733(A)(Q,P)	TRANSISTOR	
Q207,208			IRFIZ48GLF24	FET	
TH1			PTH9M04BE222T	POSITIVE RESISTOR	

**E:** Europe    **K:** North America    **M:** Other Areas  
**W:** Without Europe

⚠ indicates safety critical components.

# KAC-718

## SPECIFICATIONS

### Audio Section

Max Power Output (4Ω, at 100Hz).....	240W x 1
Rated Power Output (4Ω)	
(0.08% THD at 100Hz) .....	120W x 1
(DIN45324, +B=14.4V, at 100Hz).....	120W x 1
Rated Power Output (2Ω)	
(0.8% THD at 100Hz) .....	160W x 1
Signal to Noise Ratio.....	100dB
Sensitivity (MAX) (rated output) .....	0.15V
Sensitivity (MIN) (rated output) .....	4.0V
Input Impedance .....	10KΩ
Damping Factor.....	More than 100
Low Pass Filter Frequency (12dB/oct.).....	30Hz - 200Hz (Variable)

### General

Operating Voltage (11V-16V allowable).....	14.4V
Current Consumption (1KHz, 10% THD, 4Ω) .....	15A
Dimensions (Width x Height x Depth) .....	290mm x 56mm x 170mm
Weight.....	3.0Kg

---

**KENWOOD** follows a policy of continuous advancements in development. For this reason specifications may be changed without notice.

---

## KENWOOD CORPORATION

14-6, Dogenzaka 1-chome, Shibuya-ku, Tokyo, 150-8501 Japan

### KENWOOD SERVICE CORPORATION

P.O. Box 22745, 2201 East Dominguez Street,  
Long Beach, CA90801-5745, U.S.A.

### KENWOOD ELECTRONICS CANADA INC.

6070 Kestrel Road, Mississauga, Ontario, Canada L5T 1S8

### KENWOOD ELECTRONICS LATIN AMERICA S.A.

P.O. Box 55-2791, Piso 6, Plaza Chase, Cl. 47 y,  
Aquilino de la Guardia, Panama, Republic of Panama

### KENWOOD ELECTRONICS BRASIL LTDA.

Av. Moema, 170-17", Andar-Cobertura "B",  
Ed. Maximum Service Center, 04077-020 Moema,  
São Paulo-SP-Brasil

### KENWOOD ELECTRONICS UK LIMITED

Kenwood House, Dwight Road, Watford,  
Herts, WD1 8EB, United Kingdom

### KENWOOD ELECTRONICS DEUTSCHLAND GMBH

Rembrücker Str. 15, 63150 Heusenstamm, Germany

### KENWOOD ELECTRONICS FRANCE S.A.

13, Boulevard Ney, 75018 Paris, France

### KENWOOD ELECTRONICS BELGIUM N.V.

Mechelsesteenweg 418, B-1930 Zaventem, Belgium

### KENWOOD ELECTRONICS ITALIA S.p.A.

Via G. Sirtori 7/9, 20129 Milano, Italy

### KENWOOD IBÉRICA S.A.

Bolivia, 239-08020 Barcelona, Spain

### KENWOOD ELECTRONICS AUSTRALIA PTY. LTD.

(A.C.N. 001 499 074)

8 Figtree Drive, Australia Centre, Homebush, N.S.W. 2140, Australia

### KENWOOD & LEE ELECTRONICS LTD.

Unit 3712-3724, Level 37, Tower 1, Metroplaza,  
223 Hing Fong Road, Kwai Fong, N.T., Hong Kong

### KENWOOD ELECTRONICS GULF FZE

P.O.Box 61318, Jebel Ali, Dubai, U.A.E.

### KENWOOD ELECTRONICS (THAILAND) CO., LTD.

2019 New Pechburi Road, Bangkok, Huaykwang,  
Bangkok, 10320 Thailand

### KENWOOD ELECTRONICS SINGAPORE PTE LTD.

1 Genting Lane, #07-00, Kenwood Building, Singapore 349544

### KENWOOD ELECTRONICS (MALAYSIA) SDN BHD

#4.01 Level 4, Wisma Academy Lot 4A, Jalan 19/1,  
46300 Petaling Jaya, Selangor Darul Ehsan, Malaysia